

Lining
04.84100874-0001

Fixture details

Mounting	Pendant
Light emission	Direct-Indirect
Fitting cover	satin diffusor
Protection rate	IP 20
Housing	Aluminium
Finish	anodized finish
Certificates	CE, ISO 9001



Electric details

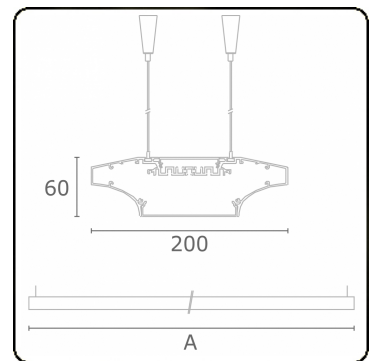
Protection class	I
Supply	230V
Control gear box	Current driver

Lamp details

Lamptype	LED 4000K
Wattage	6,7W
Gross luminous flux	18620
Luminaire power	107,0W
Number	7
Lifetime LED module	L80/B10 > 72000h
Color tolerance	MacAdam 3
CRI	>80
	+ 7x LED 4000K 7,2W

Photometric details

UGR	>19
CIE Fluxcode	49 80 96 99 65
CIE Fluxcode Indirect	00 00 00 00 73



Dimensions

A	2036 mm
B	60 mm
C	200 mm

Remarks

Suspended luminaire - Direct - HO 225mA - satin (flush) - ANO




Verkrijgbaar op aanvraag.
Disponible sur demande.
Available on request.
Auf Anfrage.

MULTILINE® 874/2012