

Score flat Direct/Indirect - satin - HO 325mA - RAL  
04.87100663-9999

**Fixture details**

Mounting	Pendant
Light emission	Direct-Indirect
Fitting cover	satin diffusor
Protection rate	IP 20
Housing	Aluminium
Finish	RAL colour at your choice
Certificates	CE, ISO 9001



**Electric details**

Protection class	I
Supply	230V
Control gear box	Current driver

**Lamp details**

Lamptype	LED 3000K
Wattage	7,1W
Gross luminous flux	14795
Luminaire power	86,4W
Number	11
Lifetime LED module	L80/B10 > 102000h
Color tolerance	MacAdam 3
CRI	>80

**Photometric details**

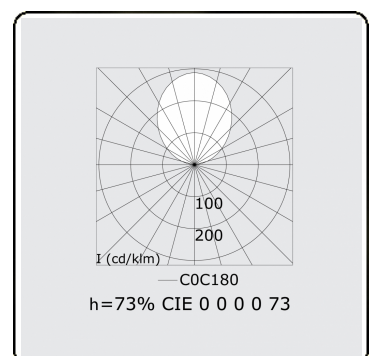
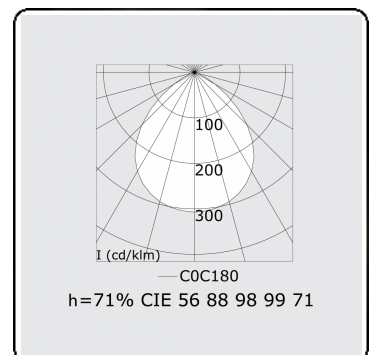
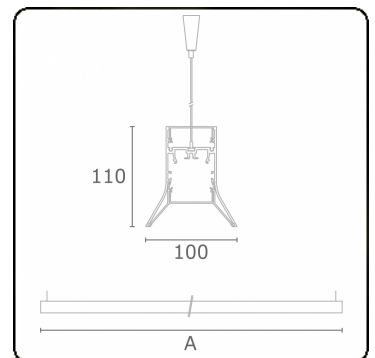
UGR	>19
CIE Fluxcode	56 88 98 99 71
CIE Fluxcode Indirect	00 00 00 00 73

**Dimensions**

A	1704 mm
---	---------

**Remarks**

Suspended luminaire - Direct/Indirect - HO 325mA - satin - RAL



**ENERGY**

Verrijgbaar op aanvraag.

Disponible sur demande.

Available on request.

Auf Anfrage.

**WXYZ**  
kWh/1000h

**MULTILINE®**

2019/2015