

Score flat Direct/Indirect - satin - HO 325mA - RAL
04.87104644-9999

Fixture details

Mounting	Pendant
Light emission	Direct-Indirect
Fitting cover	satin diffusor
Protection rate	IP 20
Housing	Aluminium
Finish	RAL colour at your choice
Certificates	CE, ISO 9001



Electric details

Protection class	I
Supply	230V
Control gear box	Current driver DALI/TD

Lamp details

Lamptype	LED 4000K
Wattage	7,1W
Gross luminous flux	9975
Luminaire power	55W
Number	7
Lifetime LED module	L80/B10 > 102000h
Color tolerance	MacAdam 3
CRI	>80

Photometric details

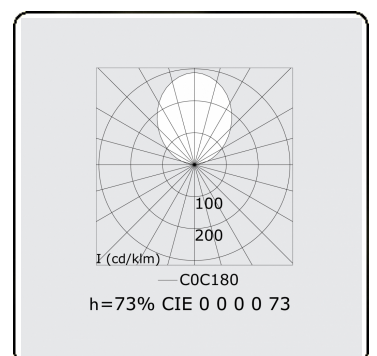
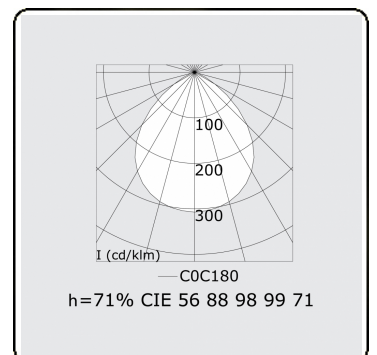
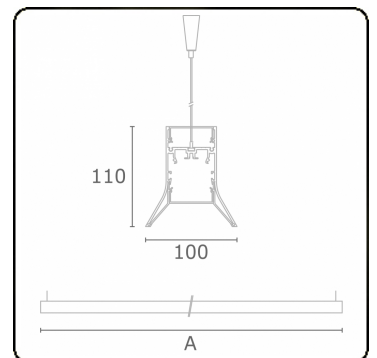
UGR	>19
CIE Fluxcode	56 88 98 99 71
CIE Fluxcode Indirect	00 00 00 00 73

Dimensions

A	1144 mm
---	---------

Remarks

Suspended luminaire - Direct/Indirect - HO 325mA - satin - RAL



ENERGY

Verkrijgbaar op aanvraag.

Disponible sur demande.

Available on request.

Auf Anfrage.

WXYZ
kWh/1000h

MULTILINE®

2019/2015