

Sferio Direct/Indirect - MPO - LO - RAL 9003
04.36112054-9003

Fixture details

Mounting	Pendant
Light emission	Direct-Indirect
Fitting cover	micro prismatic diffuser
Protection rate	IP 20
Housing	Aluminium
Finish	RAL 9003 Signal white
Certificates	CE, ISO 9001

Electric details

Protection class	I
Supply	230V
Control gear box	Current driver 1-10V

Lamp details

Lamptype	LED 4000K
Wattage	86W
Luminaire power	86W
Luminaire luminous flux	11220
Number	1
Lifetime LED module	L80/B10 = 50000h
Color tolerance	MacAdam 3
CRI	>80

Photometric details

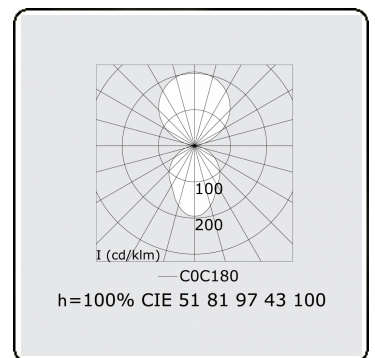
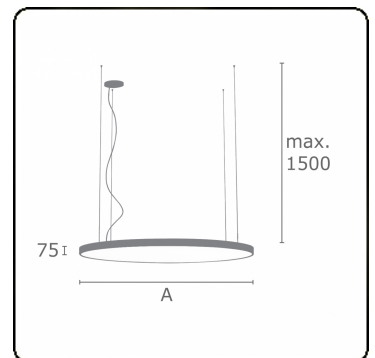
UGR	<19
CIE Fluxcode	60 87 97 56 100

Dimensions

A	900 mm
---	--------

Remarks

Suspended luminaire - Direct/Indirect - MPO - LO - RAL 9003



ENERGY

Verrijgbaar op aanvraag.

Disponible sur demande.

Available on request.

Auf Anfrage.

WXYZ
kWh/1000h

MULTILINE®

2019/2015