

Scorta Direct - MPO - HO - RAL 9003  
04.86012254-9003

**Fixture details**

Mounting	Pendant
Light emission	Direct
Fitting cover	micro prismatic diffuser
Protection rate	IP 20
Housing	Aluminium
Finish	RAL 9003 Signal white
Certificates	CE, ISO 9001

**Electric details**

Protection class	I
Supply	230V
Control gear box	Current driver 1-10V

**Lamp details**

Lamptype	LED 4000K
Wattage	129W
Luminaire power	129W
Luminaire luminous flux	13240
Number	1
Lifetime LED module	L80/B10 = 50000h
Color tolerance	MacAdam 3
CRI	>80

**Photometric details**

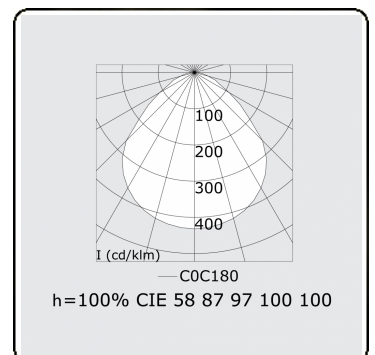
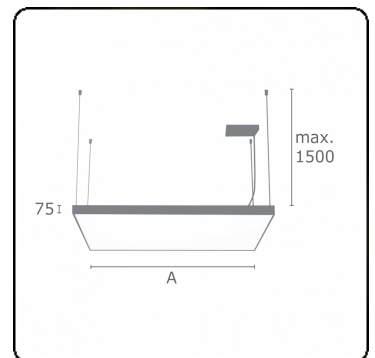
UGR	<19
CIE Fluxcode	58 87 97 100 100

**Dimensions**

A	900 mm
---	--------

**Remarks**

Suspended luminaire - Direct - MPO - HO - RAL 9003



**ENERGY**

Verrijgbaar op aanvraag.

Disponible sur demande.

Available on request.

Auf Anfrage.

**WXYZ**  
kWh/1000h

**MULTILINE®**

2019/2015